

DEVELOP

Dynamic balance

Product Guide



ineo+ 227/287

Product Guide ineo+ 227/287

Date:	Description	Author
November 9th, 2015	First edition	Julien Azzi
January 4 th 2016	Copier dimensions (p. 17) and banner paper format (p. 10)	Julien Azzi
January 14 th 2016	Change of FS-534SD tray capacity (p. 12)	Julien Azzi

Table of contents

Product basics	4
System dimensions.....	5
System configuration	8
System specifications	9
Copier specifications.....	17
Printer specifications (Emperon controller).....	20
Scanner specifications.....	23
Fax specifications	24
i-Fax specifications	25
IP-Fax specifications.....	25
Consumables.....	26
Article numbers and compatibility	28
Documentation.....	32
Recommended media.....	34
Appendix.....	¡Error! Marcador no definido.

Product Guide ineo+ 227/287

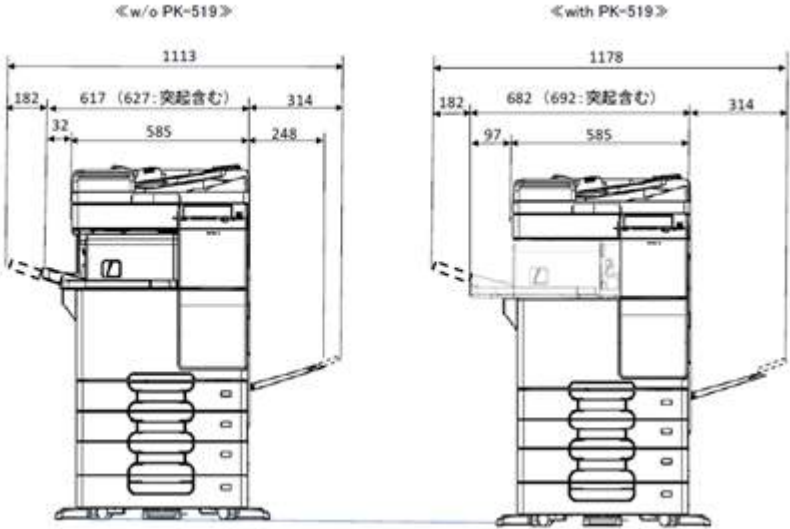
Product basics		
MODEL DEVELOPMENT CODE	Helios 2	Helios 3
MODEL NAME	ineo+ 287	ineo+ 227
SUCCESSOR MODEL FOR	-	-
ALSO AVAILABLE AS	DEVELOP ineo+ 287	DEVELOP ineo+ 227
ESTIMATED SALES START	12/2015	12/2015
INFOSOURCE SEGMENT	II	
BT SPECIFIED ESTIMATED MONTHLY VOLUME	5.7k	4k
BT SPECIFIED MAXIMUM MONTHLY PAGE VOLUMES	14k	9k
BEU SPECIFIED MONTHLY PAGE VOLUMES (AVERAGE/MAX)	13k/28k	10k/19k
MACHINE LIFE	600k	600k
MCBF (Mean Copies Between Failure)	49.8k	41.7k
MCBJ (Mean Copies Between Jam)	10k with standard paper	
STANDARD COPY MODE	3 pages/ job	2 pages/ job
STANDARD ORIGINAL DENSITY	5 %	
SAFETY & ENVIRONMENT	Available on the new dbox	

PLEASE NOTICE

Standard paper weight for systems is 80 g/m² for monochrome machines. Since using these standards result in optimum system performance, all specifications on performance, reliability, maintenance and replacement based on those standard papers. Using thick papers, labels, transfer and polyester films continuously can increase the wear and tear on replacement parts and consumables – meaning your servicing costs will go up. Use the bypass or the lower tray from the paper feed unit when working with materials having such characteristics as polyester films, textile transfer films and labels. Otherwise, you may be faced with double feeding or a higher number of feeding jams. If possible use subtray when working with materials having such characteristics as polyester films, textile transfer films and labels. Rollermarks on the copy or print may appear or increased jams can occur. Standard paper weights yield the best possible copy and print results. Using higher grammatures may influence the quality of the output. Using standard paper weights also guarantees that double sided copies and prints are made reliably. Different characters of films as well as thick, thin and coated papers may increase the jam rate for double sided copies and prints.

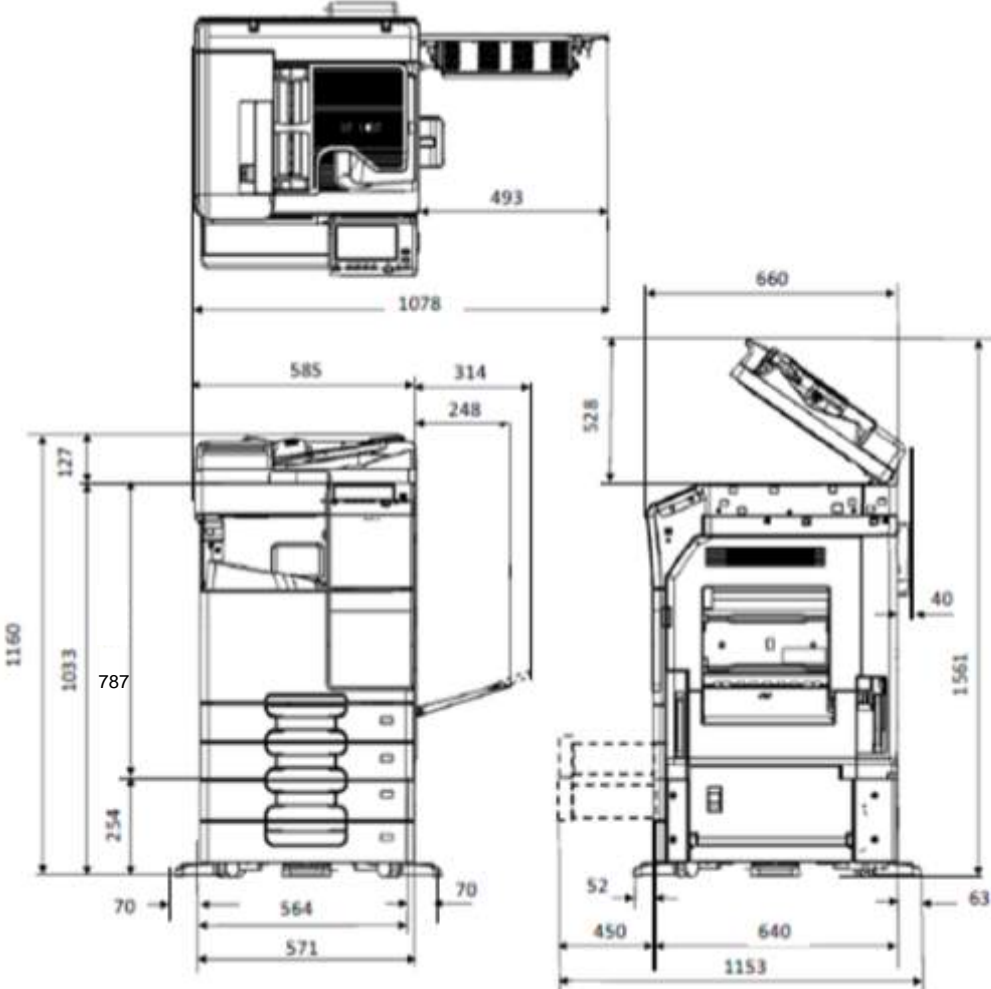
System dimensions

ineo+ 287 + PC-214 (PC-114/PC-414/DK-514) + DF-628 + FS-533 + PK-519



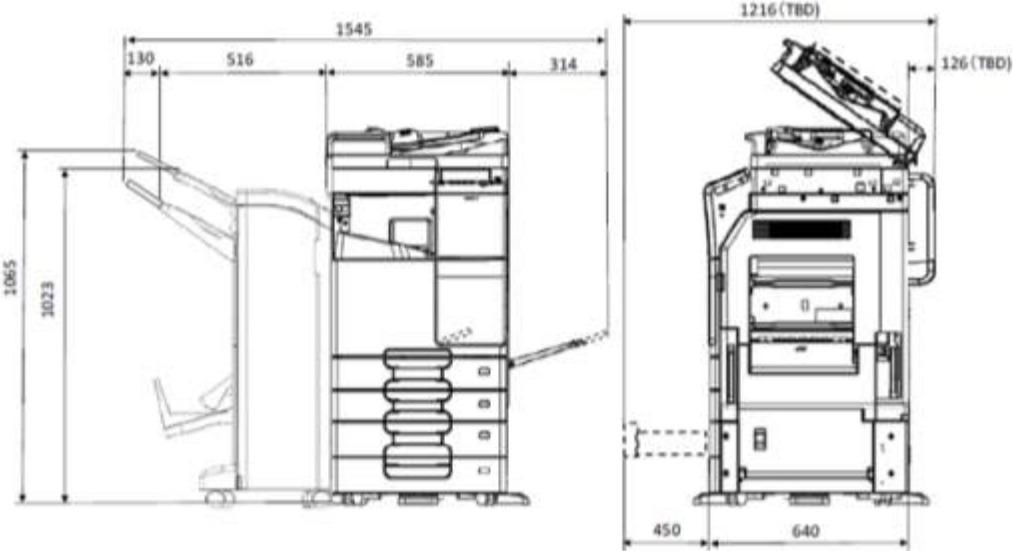
Product Guide ineo+ 227/287

Ineo+ 287 + PC-214 (PC-114/PC-414/DK-514) + DF-628



Product Guide ineo+ 227/287

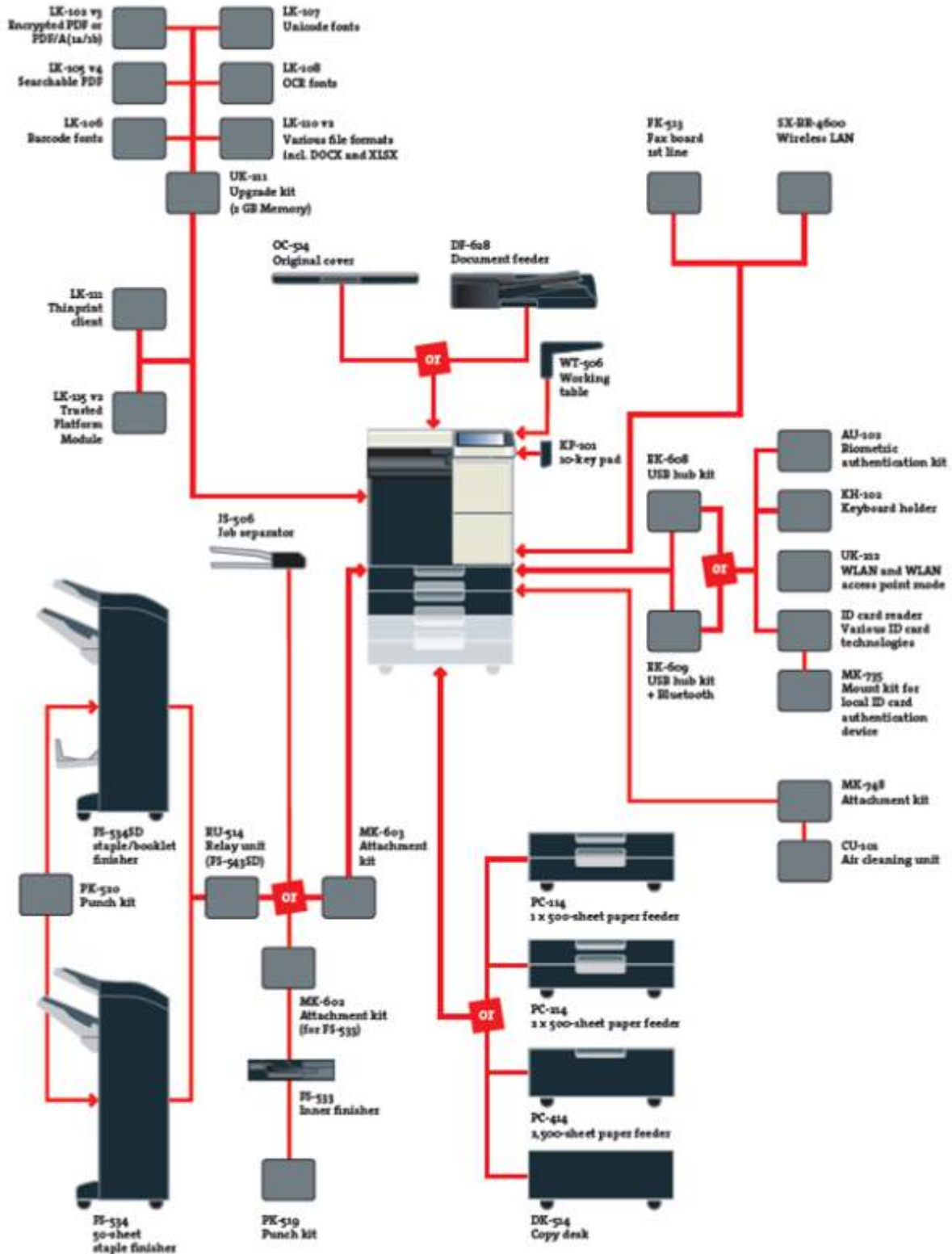
ineo+ 287+ PC-214 (PC-114/PC-414/DK-514) + DF-628 + FS-534 + CU-101



Product Guide ineo+ 227/287

System configuration

Configuration ineo+ 287/227



Product Guide ineo+ 227/287

System specifications	
DF-628 Duplex type automatic document feeder OPTION	
Original size	A6S-A3
Original weights	35 - 128 g/m ² (simplex) 50 - 128 g/m ² (duplex/mix mode)
Tray capacity	100 sheets (68g/m ²)
Feeding type	First page system
Feeding speed	Simplex mode: <ul style="list-style-type: none"> ▪ Copy: 36 originals/min. (600 dpi) [mono] ▪ Scan: 45 originals/min. (300 dpi) [mono & colour] Duplex mode: <ul style="list-style-type: none"> ▪ Copy: 17 originals/min. (600 dpi) [mono] ▪ Scan: 22 originals/min. (300 dpi) [mono & colour]
Dimensions (W x D x H)	585 x 504 x 127 mm
Weight	9.0 kg
OC-514 Original cover OPTION for ineo+227/287	
Remark	Required if no document feeder is attached.
Standard paper cassettes STANDARD	
Capacity	1 tray: 500 sheets (universal) 2 tray: 500 sheets (universal)
Paper formats	1 tray: A5 - A4 2 tray: A5 - A3
Paper weights	1 - 2 tray: 60–256 gsm
PC-114 Paper cassette OPTION	
Capacity	1 x 500 sheets (80 gsm)
Paper formats	A5 – A3
Paper weights	60 - 256 gsm
Media type	Plain paper
Dimensions (W x D x H)	640 x 564 x 254 mm
Weight	22 kg

Product Guide ineo+ 227/287

PC-214 Paper cassette		OPTION
Capacity	2 x 500 sheets (80 gsm)	
Paper formats	A5 – A3	
Paper weights	60 - 256 gsm	
Media type	Plain paper	
Dimensions (W x D x H)	640 x 564 x 254 mm	
Weight	24 kg	
PC-414 Paper cassettes		OPTION
Capacity	2,500 sheets (80 gsm)	
Paper formats	A4 crosswise	
Paper weights	60 - 256 gsm	
Media type	Plain paper	
Dimensions (W x D x H)	640 x 564 x 254 mm	
Weight	23 kg	
DK-514 Copy desk		OPTION
Type	Rigid, metal	
Dimensions (W x D x H)	640 x 564 x 254.1 mm	
Weight	13.7 kg	
Manual bypass tray		STANDARD
Capacity	100 sheets	
Paper weight	60 - 256 gsm (OHP, labels, banner paper, etc.)	
Paper format	A6 - A3, custom sizes Width: 90 to 297 mm x Length: 431.8 mm Banner paper : Weight 127 – 210 g/m2 (W) 210 – 297 mm (L) 457.3 – 1200 mm	

Product Guide ineo+ 227/287

Duplex		STANDARD
Capacity	Stackless	
Paper weight	60 - 256 gsm	
Paper format	A5 - A3	

FS-533 Inner finisher		OPTION
Functionality	Stacking, stapling, offset group/sort	
Paper formats	A6 - SRA3	
Paper weights	52 – 300 gsm	
Stack capacity	500 sheets A4 (52 – 90 gsm) 250 sheets B4 (52 – 90 gsm)	
Stapling modes	Corner 1 staple (rear/front): parallel Side 2 staples: parallel	
Stapling capacity	50 sheets A4 (52 - 90 gsm), 30 sheets B4 (52 - 90 gsm), 2 sheets (91 - 209 gsm for cover pages)	
Staples	SK-602	
Dimensions (W x D x H)	472.5 x 583.5 x 194.7 mm	
Weight	12 kg	
Remark	One staple cartridge is packed to the finisher. Please note: For the machine itself, paper format and paper weight tolerance might be different	
Additional options for FS-533	PK-519	
MK-603 Attachment Kit for finishing		REQUIRED for FS-534/SD-FS-533-JS-506
Remark	Required for FS-533, FS-534, FS-534SD, JS-506 connection	
MK-602 Attachment Kit for FS-533		REQUIRED for FS-533
Remark	Required for FS-533 connection	
PK-519 Punch kit (Europe/Sweden)		OPTION for FS-533
Punch method	On-line, page by page, 2 or 4 holes for Europe, 4 holes for Sweden	
Hole diameter	6.5 mm (EU 2 / 4 holes (Automatic switch))	

Product Guide ineo+ 227/287

Paper formats	(EU, 4 holes:) A3, B4, A4, B5
Paper weights	52 - 157 gsm
Dimensions (W x D x H)	110.2 x 483.5 x 203.2 mm
Weight	3.2 kg
Remark	Please note: For the machine itself, paper format and paper weight tolerance might be different
FS-534 Staple finisher (50 sheets) FS-534SD Booklet finisher	
OPTION	
Functionality	Sorting, Grouping, Offset-Sorting, Offset-Grouping, Staple
Tray capacity	100/200/3,000 sheets A4 (FS-534) 100/200/2,000 sheets A4 (FS-534SD) 100/200/1,500 sheets A3
Paper formats	A5-A3
Paper weights	60-256 gsm
Stack capacity	500 sheets A4 (52 – 90 gsm) 250 sheets A3 (52 – 90 gsm)
Stapling modes	Corner (front/back), centre 2-points, saddle stitch (additional option)
Stapling capacity	50 sheets (52 - 90 gsm), 30 sheets (91 - 120 gsm), 15 sheets (121 - 209 gsm)
Stapling format	A3 - A5 lengthwise
Staples	SK-602
Remark	One staple cartridge is packed to the finisher. Please note: For the machine itself, paper format and paper weight tolerance might be different
Job separator function	Yes (finisher bridge unit is used for stacking) for Zeus e-series, for Poseidon this is yet to be confirmed.
Paper size for job separation function	A6 - SRA3
Capacity job separation function	Up to 100 sheets 52 – 90 gsm Up to 20 sheets > 90 gsm
Remark job separation function	This function is only available with Zeus/ZeusMLK /ZeusBK series. It does not apply for all Minerva series.
Dimensions (W x D x H)	528 x 641 x 1,023 mm
Weight (FS-534/FS-534SD)	40 kg/ 64kg
Additional options for FS-534/FS-534SD	PK-520
Standard for FS-534SD	SD-511

Product Guide ineo+ 227/287

RU-514 Relay Unit		Mandatory for FS-534 and FS-534SD
Paper Weights	60-220 gsm	
Dimensions (W x D x H)	413 x 557 x 152 mm	
Weight	3.4 kg	

PK-520 Punch kit (Europe/Sweden)		OPTION for FS-534
Punch method	On-line, page by page, 2 or 4 holes for Europe, 4 holes for Sweden	
Hole diameter	EU 2 / 4 holes (automatic switch): 6.5 mm	
Paper formats	A3, B4, A4, B5	
Paper weights	52 - 300 gsm	
Dimensions (W x D x H)	61 x 492 x 142 mm	
Weight	1.8 kg	
Remark	Please note: For the machine itself, paper format and paper weight tolerance might be different	

JS-506 Inner job separator		OPTION
Paper formats	Tray 1&2: A6 - SRA3	
Paper weights	52 - 300 gsm	
Tray capacity	Tray 1: 100 sheets (90 gsm) Tray 2: 150 sheets (90 gsm)	
Dimensions (W x D x H)	412 x 469 x 130 mm (Tray 1) 451 x 386 x 127 mm (Tray 2)	
Weight	1.5 kg	
Remark	Cannot be installed together with FS-533/534/534-SD. Supports offset group/sort. Please note: For the machine itself, paper format and paper weight tolerance might be different	

OT-506 Inner output tray		STANDARD
Functionality	If no finisher or JS-506 is attached, OT-506 is always required.	

KP-101 10-key-pad		OPTION
Functionality	Hardware 10 key pad for number entry instead of touch panel	

Product Guide ineo+ 227/287

WT-506 Working table		OPTION
Functionality	To place authentication unit.	
FK-513 Fax Kit		OPTION
Specifications	Please refer to the chapter "Fax specifications"	
Remark	Only 1 line for ineo+ 227/287	
KH-102 Keyboard holder		OPTION
Functionality	To place the optional USB keyboard (keyboard is procured locally by countries).	
EK-608 USB host board		OPTION
Functionality	USB keyboard connection	
EK-609 USB host board and Bluetooth		OPTION
Functionality	USB interface for connection of USB keyboard. Included Bluetooth technology for connection to mobile devices.	
ID card card reader		OPTION
Functionality	Authentication by contact less ID card	
Remark	For details on available card technologies please refer to the price list. MK-735 is required for inside installation, WT-506 for outside placement. Please note: EK-608 / 609 is required for this option	
MK-735 Mount kit		OPTION
Functionality	Installation kit for ID card reader (device integrated behind front cover).	
AU-102 Biometric authentication unit		OPTION
Functionality	Authentication by finger vein scanner. WT-506 is required for placement.	
Remark	Please note: EK-608 / 609 is required for this option	

Product Guide ineo+ 227/287

LK-102v3 i-Option license		OPTION
Functionality	PDF encryption function, PDF/A 1b support, Meta data	
Remark	UK-211 is required in addition.	
LK-105v4 i-Option license		OPTION
Functionality	OCR for searchable PDF, PPTX	
Remark	UK-211 is required in addition. PDF/A 1a (LK-102v3 is needed in addition for PDF/A 1a)	
LK-106 i-Option license		OPTION
Functionality	Printing of Barcode fonts	
Remark	UK-211 is required in addition.	
LK-107 i-Option license		OPTION
Functionality	Printing of Unicode fonts	
Remark	UK-211 is required in addition.	
LK-108 i-Option license		OPTION
Functionality	Printing of OCR fonts	
Remark	UK-211 is required in addition.	
LK-110v2 i-Option license		OPTION
Functionality	Generation of various file formats (incl. DOCX, XLSX and PDF/A)	
Remark	UK-211 is required in addition. LK-110 includes the functionality of LK-102v3 & LK-105v3	
LK-111 i-Option license		OPTION
Functionality	Native ThinPrint client	
Remark	UK-211 is not required.	
LK-115v2 i-Option license		OPTION
Functionality	Enables Trusted Platform Module (TPM)	
Remark	UK-211 is not required.	

Product Guide ineo+ 227/287

UK-211 Upgrade Kit		OPTION
Functionality	Additional memory for i-Option activation	
UK-212 Wireless LAN Upgrade Kit		OPTION
Functionality	Wifi model for both ineo+ Remote Access and normal Wifi connection	
Remark	Required for ineo+ Remote Access on Android and iOS and for wireless LAN Access Point Mode. Please note: EK-608 / 609 is required for this option	
SX-BR-4600 Wireless LAN (to Network Connector)		OPTION
Functionality	External LAN to WLAN box.	
SP-501 Stamp unit		OPTION for DF-628
Functionality	Attached to DF-628. Marks every fax original which is scanned for transmission.	
Spare TX marker stamp 2		CONSUMABLE for SP-501
Functionality	Spare stamp for SP-501	
CU-101 Air Cleaning Unit		OPTION
Functionality	For improving indoor air quality	
MK-748 Mount Kit		OPTION
Functionality	Required for CU-101 installation	

Product Guide ineo+ 227/287

Copier specifications		
	ineo+ 287	ineo+ 227
WARM-UP TIME		
Main switch ON	20 sec. or less	
FIRST COPY		
Color/ B/W (sec or less)	within 8.4 sec. /within 6.8 sec	within 8.4 sec./within 6.8 sec
COPY SPEED		
A4 crosswise (simplex/duplex)	28 ppm	22 ppm
SCAN RESOLUTION	600 x 600 dpi	
PRINT RESOLUTION	1800 x 600 dpi equivalent	
MEMORY	2 GB std. 4 GB max. (2 GB for i-Option and overlay in copy mode)	
HDD	250 GB	
GRADATION	256	
ZOOM	25 - 400 %, adjustable in 0,1% steps	
MULTI COPY	1 - 9999, count up, interruption capability	
DENSITY ADJUSTMENT	Automatic, manual (9 steps)	
IMAGE LOSS	Leading edge: 4.2 mm or less Trailing edge: 3 mm or less Both sides: 3 mm or less	
POWER REQUIREMENT	220 - 240 V / 50/60 Hz	
MAX. POWER CONSUMPTION	1,5 kW	
COPIER DIMENSIONS (W x D x H)	585 x 660 x 787 mm (Standard config. of Main Body)	
COPIER WEIGHT	Approx. 72 kg (Main Unit)	

Product Guide ineo+ 227/287

COPY FUNCTIONS	
2in1/4in1/8in1	Yes
AMS/APS	Yes
Book copy	Yes
Booklet creation	Yes
Chapter insertion	Yes
Continuous number stamping	Yes
Cover mode	Yes
X/Y independent zoom	Yes
Edge / Frame / Fold line erase	Yes
Image insertion	Yes
Image repeat	Yes
Image rotation	Yes
Program job	Yes
Non-image area erase	Yes
OHP interleaving	Yes
Overlay	yes (UK-211 required)
Page insertion	Yes
Date stamp / Page stamp	yes / yes
Electronic print / Rotation print out / Criss-cross sorting	yes / yes / yes
Program memory	yes
Proof copy	Yes
Separate scanning	Yes
Stamp	Yes
Watermark	Yes

Product Guide ineo+ 227/287

Gloss copy	Yes
Enlarge display	Yes
Account track / Department control	Yes (1,000)
User authentication	Yes
Copy protection	Yes

Product Guide ineo+ 227/287

Printer specifications (Emperon controller)		
	ineo+ 287	ineo+ 227
CPU	1.2 GHz	
PRINT SPEED		
A4 crosswise (simplex/duplex)	28 ppm	22 ppm
PRINT RESOLUTION	1800 x 600 dpi equivalent	
PDL	PCL 6 (PCL 5c + XL 3.0); PostScript 3 (CPSI 3016); XPS	
PRINT RAM	2 GB (shared among all MFP functions)	
PRINT HDD	250 GB (shared among all MFP functions)	
FONTS		
PCL	80 outline fonts	
PostScript3	137 outline fonts	
INTERFACES		
10BaseT/100BaseT/1000 BaseT	yes (standard)	
USB 2.0	yes (standard)	
USB Host	yes (standard, for USB direct printing)	
NETWORK PROTOCOLS		
TCP/IP (IPv4, IPv6)	yes	
IPX/SPX (ND support)	yes	
SMB (NetBEUI)	yes	
LPD	Yes	
IPP 1.1	Yes	
SNMP	yes	

Product Guide ineo+ 227/287

HTTP	yes
SUPPORTED OS	
Windows Vista 7/8/8.1/10 (each 32/64)	yes
Windows Server 2008 (32/64)	yes
Windows Server 2008 R2 (64)	yes
Windows Server 2012 / R2 (64)	yes
Macintosh OS X 10.x	yes
Citrix	yes
Linux	yes
PRINT FUNCTIONS	
Booklet creation	yes
Chapter insertion	yes
Continuous number stamping	yes
Cover mode	yes
Date stamp	yes
Distribution numbering	yes
Edge / Frame erase	yes
Image insertion	yes
Image repeat	yes (2 repeats)
Image shift	yes
Image rotation	yes
Job accounting	yes
Non-image area erase	yes
OHP interleaving	yes
Overlay	yes

Product Guide ineo+ 227/287

Page insertion	yes
Page stamp	yes
Proof print	yes
Stamp	yes
Watermark	yes
Tab print	yes
N-up	yes
Finishing	Sorting, stapling, punching, folding

Scanner specifications	
SCAN FUNCTIONS	
Scan-to-eMail	yes
Scan-to-Me	yes
Scan-to-SMB	yes
Scan-to-Home	yes
Scan-to-FTP	yes
Scan-to-Box	yes
Scan-to-USB	yes
Scan-to-WebDAV	yes
Scan-to-DPWS	Yes (TBC)
Network TWAIN scan	yes
SCAN SPEED	Up to 45 ipm
COLOUR SCANNING CAPABILITY	yes
MAX. SCAN ORIGINAL SIZE	A3 (297 x 431.8 mm from platen glass)
SCAN RESOLUTION	Max. 600x600 dpi
SCAN FORMAT	TIFF, PDF, Compact PDF, JPEG, XPS, Compact XPS, pptx, docx,xlsx, Searchable PDF, PDF/A, Linearized PDF,
PROTOCOLS	TCP/IP (FTP, SMB, SMTP)
SEPARATE SCAN COUNTER	Yes
SCANNER DRIVER	TWAIN driver, HDD TWAIN driver
FURTHER SCAN FUNCTIONS	up to 400 job programs; real-time scan preview

Product Guide ineo+ 227/287

Fax specifications	
GENERAL INFORMATION	
Communication	G3
Compatible lines	Public switch telephone network, Private branch exchange, Fax communication line
Max. modem speed	Up to 33,6 kbps
Compression	MH, MR, MMR, JBIG
Sending paper size	Max. A3 (long length support: max. 1,000 mm)
Recording paper size	Max. A3 (long length support: max. 1,000 mm)
Transmission speed	Less than 3 sec. (A4, V.34, 33.6 kbps, JBIG)
Memory	Shared among all MFP functions
Number of abbr. dials	2,000
Number of program dials	400
Number of group dials	100
Sequential multiple station transmission	Max. 600

i-Fax specifications

GENERAL INFORMATION	
Colour capability	Supports colour i-Fax
Communication protocol	Transmission: SMTP Receiving: POP3, TCP/IP
Communication mode	Full mode
Original size	A3, B4, A4
Recording size	Max. A3 (max. long size original: 1,000 mm with ADF)
Interface	Ethernet 10Base-T/100Base-T/1000Base-T
Resolution	200x100 / 200x200 / 400x400 / 600x600 dpi
Format	Transmission: TIFF-S Receiving: TIFF-F Colour/Grey scale: TIFF (RFC3949 Profile-C)

IP-Fax specifications

GENERAL INFORMATION	
Protocol transmission	SMTP
Encoding system	MH, MR, MMR, JPEG
Sending paper size	Max. A3 (max. long size original: 1,000 mm with ADF)
Recording paper size	Max. A3
Interface	Ethernet 10Base-T/100Base-T/1000Base-T
Format	Transmission: TIFF-S Receiving: TIFF-F Colour/Grey scale: TIFF (RFC3949 Profile-C)
Remark	Optional fax kit FK-513 is required to utilise IP Address Fax

Product Guide ineo+ 227/287

Consumables	
TONER BLACK	
Name	TN221K
Concept	Bottle system
(Net) Weight	492 g
Yield	24k pages
Units per box	1 bottle
TONER CYAN / MAGENTA / YELLOW	
Name	TN221C/MY
Concept	Bottle system
(Net) Weight	467 g
Yield	21k pages
Units per box	1 bottle
DRUM UNIT BLACK	
Name	DR214K
Yield	287 : 105K 227 : 80K
Units per box	1
DEVELOPER BLACK	
Name	DV214K
Yield	600k
Units per box	1
IMAGE UNIT C / M / Y	
Name	IU 214 C/M/Y
Yield	287 : 90K 227 : 70K
Units per box	1

Product Guide ineo+ 227/287

STAPLE CARTRIDGE	
Name	SK-602
Compatible finisher / saddle kit unit	FS-533/FS-534/FS-534SD(+SD-511)
Quantity per sales unit	3 cartridges – 5,000 staples each
WASTE TONER BOX	
Name	WX-105
Yield	22 k pages

Product Guide ineo+ 227/287

Article numbers and compatibility		
Machine	Article number	Compatibility
ineo+ 227	A798121	---
ineo+ 287	A797121	---
Accessories	Article number	Compatibility
DF-628 Duplex type automatic document feeder	A7V7WY2	ineo+ 227/287/367 ineo+227/287
OC-514 Original cover	A7YYPWY1	ineo+ 227/287/367 ineo+227/287
PC-114 500-sheet paper feed cassette	A860WY1 NEW	ineo+227/287
PC-214 2x500-sheet paper feed cassettes	A860WY2 NEW	ineo+227/287
PC-414 2,500-sheet large capacity cassette	A860WY3 NEW	ineo+227/287
DK-514 Copy desk	9967004600 NEW	ineo+227/287
FS-533 Inner finisher	A2YUWY2	ineo+227/287 ineo+ 227/287/367 ineo+ 224e/284e/364e/454e/554e ineo+224e/C284e/C364e/C454e/C554e
MK-602 Mount Kit	A84FWY1	ineo+227/287 ineo+ 227/287/367
MK-603 Mount Kit	A8D9WY1 NEW	ineo+227/287
RU-514 Relay Unit	A84GWY1	ineo+227/287 ineo+ 227/287/367
PK-519 Punch kit (European version)	A3EUW22	FS-533
PK-519 Punch kit (Swedish version)	A3EUW22	FS-533
FS-534 50-sheet staple finisher	A3EPWY2	ineo+227/287 ineo+ 227/287/367 ineo+308/C368 ineo+ 224e/284e/364e/454e/554e ineo+224e/C284e/C364e/C454e/C554e
FS-534SD Booklet Finisher	A3EPWYC	ineo+227/287 ineo+ 227/287/367 ineo+308/C368 ineo+ 224e/284e/364e/454e/554e ineo+224e/C284e/C364e/C454e/C554e
PK-520 Punch kit (European version)	A3ETW21	ineo+227/287 ineo+ 227/287/367 ineo+ 224e/284e/364e/454e/554e ineo+224e/C284e/C364e/C454e/C554e [and other MFP series]

Product Guide ineo+ 227/287

PK-520 Punch kit (Swedish version)	A3ETWG1	ineo+227/287 ineo+ 227/287/367 ineo+ 224e/284e/364e/454e/554e ineo+224e/C284e/C364e/C454e/C554e [and other MFP series]
JS-506 Inner job separator	A2YVWY2	ineo+227/287 ineo+ 227/287/367 ineo+ 224e/284e/364e/454e/554e ineo+224e/C284e/C364e/C454e/C554e
KP-101 10-key-pad	A64TWY3	ineo+227/287 ineo+ 227/287/367 ineo+308/C368 ineo+ 224e/284e/364e/454e/554e ineo+654/C754
WT-506 Working table	A0W4WY3	ineo+227/287 ineo+ 227/287/367 ineo+308/C368 ineo+ 224e/284e/364e/454e/554e ineo+224e/C284e/C364e/C454e/C554e [and other MFP series]
FK-513 Fax board	A879022	ineo+227/287 ineo+ 227/287/367
KH-102 Keyboard holder	A4NRWY1	ineo+227/287 ineo+ 227/287/367 ineo+ 224e/284e/364e/454e/554e ineo+224e/C284e/C364e/C454e/C554e [and other MFP series]
EK-608 USB host board	A88AWY1	ineo+227/287 ineo+ 227/287/367 ineo+308/C368
EK-609 USB host board + Bluetooth	A87DWY2 NEW	ineo+227/287 ineo+ 227/287/367 ineo+308/C368
MK-735 Mount kit for IC card reader	A4NMWY1	ineo+227/287 ineo+ 227/287/367 ineo+ 224e/284e/364e/454e/554e ineo+224e/C284e/C364e/C454e/C554e [and other MFP series]
AU-102 Biometric authentication	A0X9WY1	ineo+227/287 ineo+ 224e/284e/364e/454e/554e ineo+224e/C284e/C364e/C454e/C554e [and other MFP series]
MK-748 Mount kit for Cleaning Unit	A8K7WY1 NEW	ineo+227/287
CU-101 Air Cleaning Unit	A87WWY1 NEW	ineo+227/287 ineo+ 227/287/367 ineo+308/C368
UK-211 i-Option upgrade memory	9967004026	ineo+227/287 ineo+ 227/287/367 ineo+308/C368

Product Guide ineo+ 227/287

LK-101v3 i-Option licence	Standard	ineo+227/287 ineo+ 227/287/367 ineo+308/C368 ineo+ 224e/284e/364e/454e/554e ineo+224e/C284e/C364e/C454e/C554e [and other MFP series]
LK-102v3 i-Option licence	A0PDW26	ineo+227/287 ineo+ 227/287/367 ineo+308/C368 ineo+ 224e/284e/364e/454e/554e ineo+224e/C284e/C364e/C454e/C554e [and other MFP series]
LK-105v4 i-Option licence	A0PDW2T	ineo+227/287 ineo+ 227/287/367 ineo+308/C368
LK-106 i-Option licence	A0PDW29	ineo+227/287 ineo+ 227/287/367 ineo+308/C368 ineo+ 224e/284e/364e/454e/554e ineo+224e/C284e/C364e/C454e/C554e [and other MFP series]
LK-107 i-Option licence	A0PDW2F	ineo+227/287 ineo+ 227/287/367 ineo+308/C368 ineo+ 224e/284e/364e/454e/554e ineo+224e/C284e/C364e/C454e/C554e [and other MFP series]
LK-108 i-Option licence	A0PDW2G	ineo+227/287 ineo+ 227/287/367 ineo+308/C368 ineo+ 224e/284e/364e/454e/554e ineo+224e/C284e/C364e/C454e/C554e [and other MFP series]
LK-110v2 i-Option licence	A0PDW2U	ineo+227/287 ineo+ 227/287/367 ineo+308/C368
LK-111 i-Option licence	A0PDW2K	ineo+227/287 ineo+ 227/287/367 ineo+308/C368 ineo+ 224e/284e/364e/454e/554e ineo+224e/C284e/C364e/C454e/C554e
LK-115v2 i-Option licence	A0PDW2V	ineo+227/287 ineo+ 227/287/367 ineo+308/C368
SX-BR-4600 Wireless LAN	9967002640	ineo+227/287 ineo+ 227/287/367 ineo+308/C368 ineo+ 224e/284e/364e/454e/554e ineo+224e/C284e/C364e/C454e/C554e [and other MFP series]
SP-501 Stamp unit	4614506	ineo+227/287 ineo+ 227/287/367 ineo+308/C368 ineo+ 224e/284e/364e/454e/554e ineo+224e/C284e/C364e/C454e/C554e [and other MFP series]

Product Guide ineo+ 227/287

Key Counter Mount Kit	4623484	ineo+227/287 ineo+ 227/287/367 ineo+308/C368 ineo+ 224e/284e/364e/454e/554e ineo+224e/C284e/C364e/C454e/C554e [and other MFP series]
UK-212 Wireless LAN	A87EWY1	ineo+227/287 ineo+ 227/287/367 ineo+308/C368
Consumables	Article number	Compatibility
TN-221K Toner Black	A8K31D0 NEW	ineo+227/287
TN-221C Toner Cyan	A8K34D0 NEW	ineo+227/287
TN-221M Toner Magenta	A8K33D0 NEW	ineo+227/287
TN-221Y Toner Yellow	A8K32D0 NEW	ineo+227/287
DR-214K Drum unit Black	A85Y1RH NEW	ineo+227/287
DV-214K Developer unit Black	A85Y13H NEW	ineo+227/287
IU-214C Image Unit Cyan	A85Y1KH NEW	ineo+227/287
IU-214M Image Unit Magenta	A85Y1EH NEW	ineo+227/287
IU-214Y Image Unit Yellow	A85Y18H NEW	ineo+227/287
SK-602 Staple cartridge	14YK	FS-533/FS-534/FS-534SD(+SD-511)/SD-512 [and other finishers]
Spare TX marker stamp 2	4614511	ineo+ 224e/284e/364e/454e/554e ineo+224e/C284e/C364e/C454e/C554e [and other MFP series]

Product Guide ineo+ 227/287

Documentation			
Face sheets		Article number	
	en	9969022700	✓
	de	9969022701	✓
	fr	9969022702	✓
	es	9969022703	✓
	it	9969022704	✓
	pt	9969022705	✓
	nl	9969022706	✓
	da	9969022707	✓
	sv	-	-
	no	9969022709	✓
	fi	9969022710	✓
	el	9969022711	✓
	tr	9969022713	✓
	cs	9969022715	✓
	hu	9969022718	✓
	pl	9969022721	✓
	ro	9969022722	✓
	ru	9969022723	✓
	sk	9969022724	✓
Legal Required Information (LRI)		Article numbers & Availability	
	en	4821028700	✓
	de	4821028701	✓
	fr	4821028702	✓
	es	4821028703	✓
	it	4821028704	✓

Product Guide ineo+ 227/287

	pt	4821028705	✓
	nl	4821028706	✓
	da	4821028707	✓
	sv	-	-
	no	4821028709	✓
	fi	4821028710	✓
	el	4821028711	✓
	tr	4821028713	✓
	cs	4821028715	✓
	hu	4821028718	✓
	pl	4821028721	✓
	ro	4821028722	✓
	ru	4821028723	✓
	sk	4821028724	✓
	Quick Guides (PDF) are available in the same languages and are part of the Driver DVD.		
Driver DVD	Contents		✓
	Driver DVD incl. User's Guide Online (html) and Quick Guides is packed to the LRI.		

Product Guide ineo+ 227/287

User's Guide Online	Availability
en	✓
de	✓
fr	✓
es	✓
it	✓
User's Guide Online are part of the Driver DVD.	

Recommended media

Brand	Format, Grammage	Remark
PAPER		
Konica Minolta Color +	A4, 90gsm	9966131000 (Mondi reference)
Konica Minolta Color +	A3, 90gsm	9966130000 (Mondi reference)
Konica Minolta Original	A4, 80gsm	9960612000 (Mondi reference)
Konica Minolta Original	A3, 80gsm	9960612100 (Mondi reference)
Mondi Color Copy	A4/A3, 90gsm	
Mondi Color Copy (Mondi Thick Paper)	A4/A3, 100gsm A4/A3, 160gsm A4/A3, 200gsm A4/A3, 250gsm	
Steinbeis Classic White (Recycling Paper)	A4/A3, 80gsm	ISO 70 www.stp.de
Konica Minolta Banner Paper	1200x297mm, 160gsm	9967000189 (250 sheets) 9967000224 (100 sheets)
OHP FILMS		
Folex BG-71	A4, 0.100mm	P/N 29710.100.44000/44100 www.folex.com
ENVELOPES		
ELCO premium	DIN C6 (114x162 mm), 100gsm	No window, gummed flap P/N 30189 www.elcoswitzerland.ch
Bong TopStar IGEPA Laserhülle	DIN DL (110x220mm), 100gsm	No window, peel and seal flap P/N 3003780 www.bong.com / www.igepa.com (Recommended under normal temperature/humidity condition)

Product Guide ineo+ 227/287

Finisher accessories & combination	
Finisher	Accessories
Finisher FS-533	PK-519
Finisher FS-534	PK-520
Finisher FS-534SD	PK-520 (SD-511 included)
Required options for finishers	
For FS-533	MK-602 + MK-603
For FS-534/SD	RU-514 + MK-603
For JS-506	MK-603

Overview finisher functionality			
Functionality	FS-533	FS-534	FS-534SD
Capacity (80 gsm)	500 sheets	3,300 sheets	3,300 sheets
Min./Max. paper weight	52/300 gsm	52/300 gsm	52/300 gsm
Staple mode	Corner front/back, centre 2 points	Corner front/back, centre 2 points	Corner front/back, centre 2 points, saddle
Staple capacity	50 sheets	50 sheets	50 sheets
Stapled booklet capacity	---	---	100 copies
Saddle stitch	---	---	yes
A3 size 10 sheet saddle stitched booklet capacity	---	---	10 copies
Hole punching	yes (with PK-519)	yes (with PK-520)	yes (with PK-520)
Half-fold	---	---	yes
Z-fold	---	---	---
Tri-fold	---	---	yes
Post insertion	---	---	---
Remark	Please note: For the machine itself, paper format and paper weight tolerance might be different		

Paper weights and sizes to be used			
Source	Capacity (80 gsm)	Size	Weight (gsm)
Tray 1	500 sheets	A5 – B4	60-256
Tray 2	500 sheets	A5 – A3	60-256
Bypass	100 sheets	A6 – A3	60-256
Duplex	N/A	A5 – A3	60-256
PC-114	500 sheets	A5 – A3	60-256
PC-214	2x500 sheets	A5 – A3	60-256
PC-414	2,500 sheets	A4	60-256

Applications	
HDD Twain Driver	Yes
Real Time Mode TWAIN Driver	Yes
Direct Print	Yes
Box Operator	Yes
Print Status Notifier	Yes
Data Administrator	Yes
HDD Backup Utility	Yes
Copy Protection Utility	Yes
Font Management Utility	Yes
Log Management Utility	Yes
Download Manager	Yes
Driver Packaging Utility	Yes
ineo Remote Care	Yes
Remote Panel	Yes
Alternative panel on Android platform	Yes
Panel Customization Tool	Yes
License Install Utility	Yes
Net Care Device Manager	Yes
Device Plug-In for Enterprise Suite	Yes
Authentication Manager	Yes
Account Manager	Yes
My Panel Manager	Yes
My Print Manager	Yes

Product Guide ineo+ 227/287

What is delivered with the machine?		
	ineo+ 287	ineo+ 227
Document feeder	no (optional)	
Drum unit Black	yes	
Developer unit Black	yes	
Image Units (1 Cyan IU, 1 Magenta IU, 1 Yellow IU)	yes	
Toner	No	
Original cover	no (optional)	
Copy tray / Output tray	yes (standard)	
Legal Required Information (LRI)	Yes	
Face sheets	Yes	
Manual / Driver DVD	Yes	

www.develop.eu

Note!

Since changes in technical features are the order of the day in the world of digital copiers and printing technology, please note that the technical data provided in this material was issued in November 2015.

We reserve the right to make changes to the technical design. Specifications refer to maximum performance under standard conditions. No guarantee is provided in relation to any of the data supplied.

Your Develop Marketing